

FnIO G-Series

GT-1904

GT-1904(4 Points, AC Input Terminal, 240Vac)

Specification

Table of Contents

Table of Contents.....	2
History.....	3
1.Environment Specification.....	4
2.GT-1904(4 Points, AC Input Terminal,240Vac).....	5
2.1.GT-1904Specification.....	5
2.2.GT-1904Wiring Diagram.....	6
2.3.GT-1904LED Indicator.....	7
2.3.1.LED Indicator.....	7
2.3.2.Channel Status LED.....	7
2.4.Mapping Data into the Image Table.....	8

History

REV.	PAGES	REMARKS	DATE	Editor
1.00	8	New Document	July 18, 2016	Jun, Seokhyun
1.01	8	Specification Revision	Oct 17, 2016	Jun, Seokhyun

Specification

1. Environment Specification

Environment specification	
Operating Temperature	-40°C~60°C
UL Temperature	-20°C~60°C
Storage Temperature	-40°C~85°C
Relative Humidity	5% ~ 90% non-condensing
Mounting	DIN rail
General specification	
Shock Operating	IEC 60068-2-27
Vibration Resistance	Based on IEC 60068-2-6 Sine Vibration <ul style="list-style-type: none"> - 5 ~ 25Hz : ±1.6mm - 25 ~ 300Hz : 4g - Sweep Rate : 1 Oct/min, 20 cycles Random Vibration <ul style="list-style-type: none"> - 10 ~ 40 Hz : 0.0125 g²/Hz - 40 ~ 100 Hz : 0.0125 → 0.002 g²/Hz - 100 ~ 500 Hz : 0.002 g²/Hz - 500 ~ 2000 Hz : 0.002 → 1.3 x 10⁻⁴g²/Hz - Test time : 1hrs for each test
Industrial Emissions	EN61000-6-4/All : 2011
Industrial Immunity	EN 61000-6-2 : 2005
Installation Position	Vertical and horizontal installation is available.
Product Certifications	CE, UL

Specification

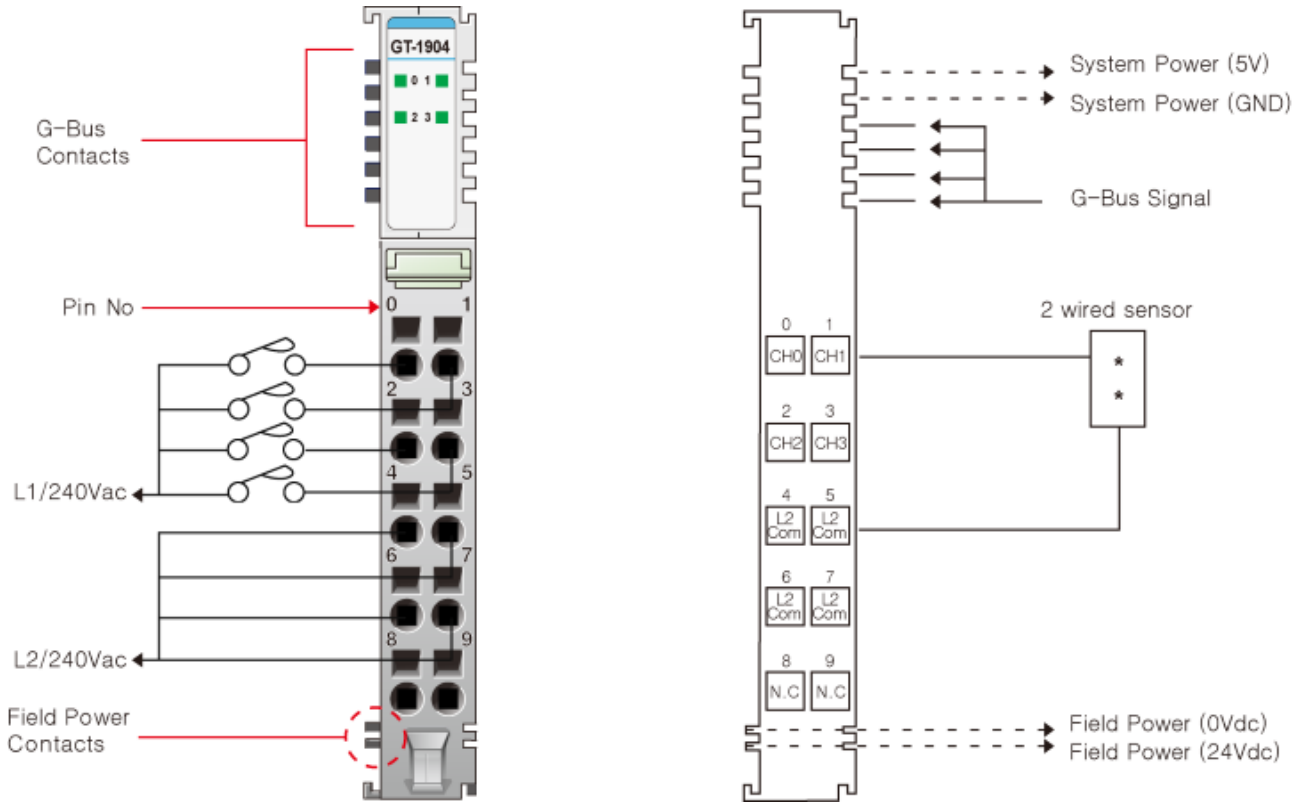
2. GT-1904 (4 Points, AC Input Terminal, 240Vac)

2.1. GT-1904 Specification

Items	Specification
Input Specification	
Inputs Per Module	4 Points Sink type
Indicators	4 Green input state
ON-state Voltage	240Vac nominal Min. 170Vac ~ Max. 264Vac
ON-state Current	10mA maximum/point @ 240Vac
Minimum OFF-state Voltage	Max. 115Vac
Input Signal Delay	OFF to ON : 30mS Max @ 240Vac ON to OFF : 140mS Max @ 240Vac
Nominal Input Impedance	26.5 K Ω Typical
Frequency Range	60Hz
Common Type	4 Points / 4 Common (L2/N)
General Specification	
Power Dissipation	Max. 30mA @ 5Vdc
Isolation	I/O to Logic : Photocoupler Isolation
Field Power	Field Power passes through to the next module. Supply Voltage : 24Vdc Voltage Range : 15 ~ 32Vdc (AC Power Not Used)
Wiring	I/O Cable Max. 2.0mm ² (AWG 14)
Weight	57g
Module Size	12mm x 99mm x 70mm
Environment Condition	Refer to '1. Environment Specification'

Specification

2.2. GT-1904 Wiring Diagram

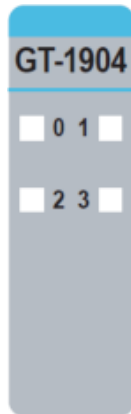


Pin No.	Signal Description	Signal Description	Pin No.
0	Input Channel 0	Input Channel 1	1
2	Input Channel 2	Input Channel 3	3
4	Input Channel Common (L2/N)	Input Channel Common (L2/N)	5
6	Input Channel Common (L2/N)	Input Channel Common (L2/N)	7
8	N.C	N.C	9

Specification

2.3. GT-1904 LED Indicator

2.3.1. LED Indicator



LED No.	LED Function / Description	LED Color
0	INPUT Channel 0	Green
1	INPUT Channel 1	Green
2	INPUT Channel 2	Green
3	INPUT Channel 3	Green

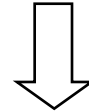
2.3.2. Channel Status LED

Status	LED	To indicate
Off Signal	Off	No Input Signal
On Signal	Green	Normal Operation

2.4. Mapping Data into the Image Table

- **Input Module Data**

D3	D2	D1	D0
----	----	----	----



- **Input Image Value**

Bit No	Bit7	Bit6	Bit5	Bit4	Bit3	Bit2	Bit1	Bit0
Byte0	Reserved				D3	D2	D1	D0